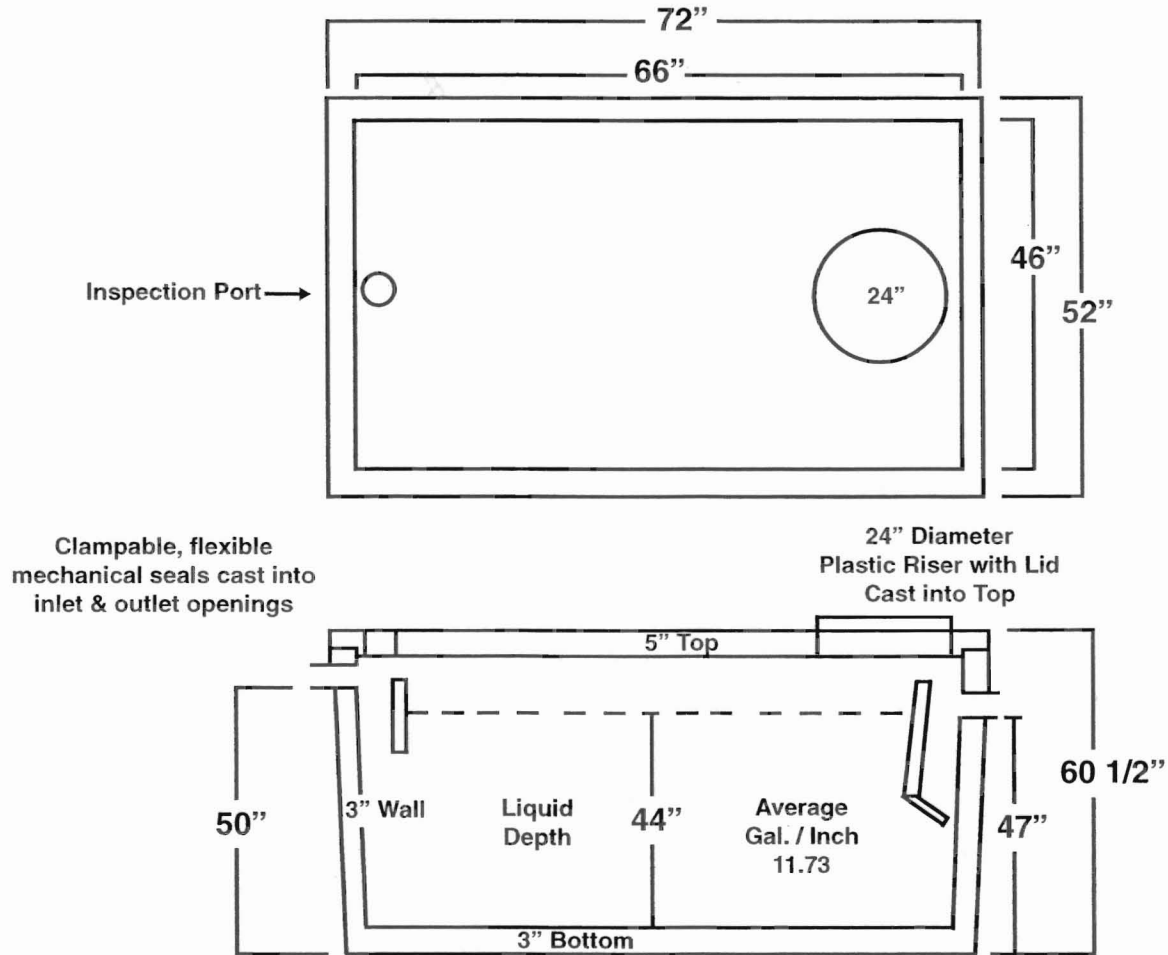


416 CHICORA ROAD
BUTLER, PA 16001
keyprecast&supply.com



724-287-1964
FAX: 724-287-3070



500 GALLON SEPTIC TANK

Tank to be set on virgin soil with a covering of 6" of compacted 2B stone providing a flat and level surface with no large rocks protruding which will cause breakage of the tank.

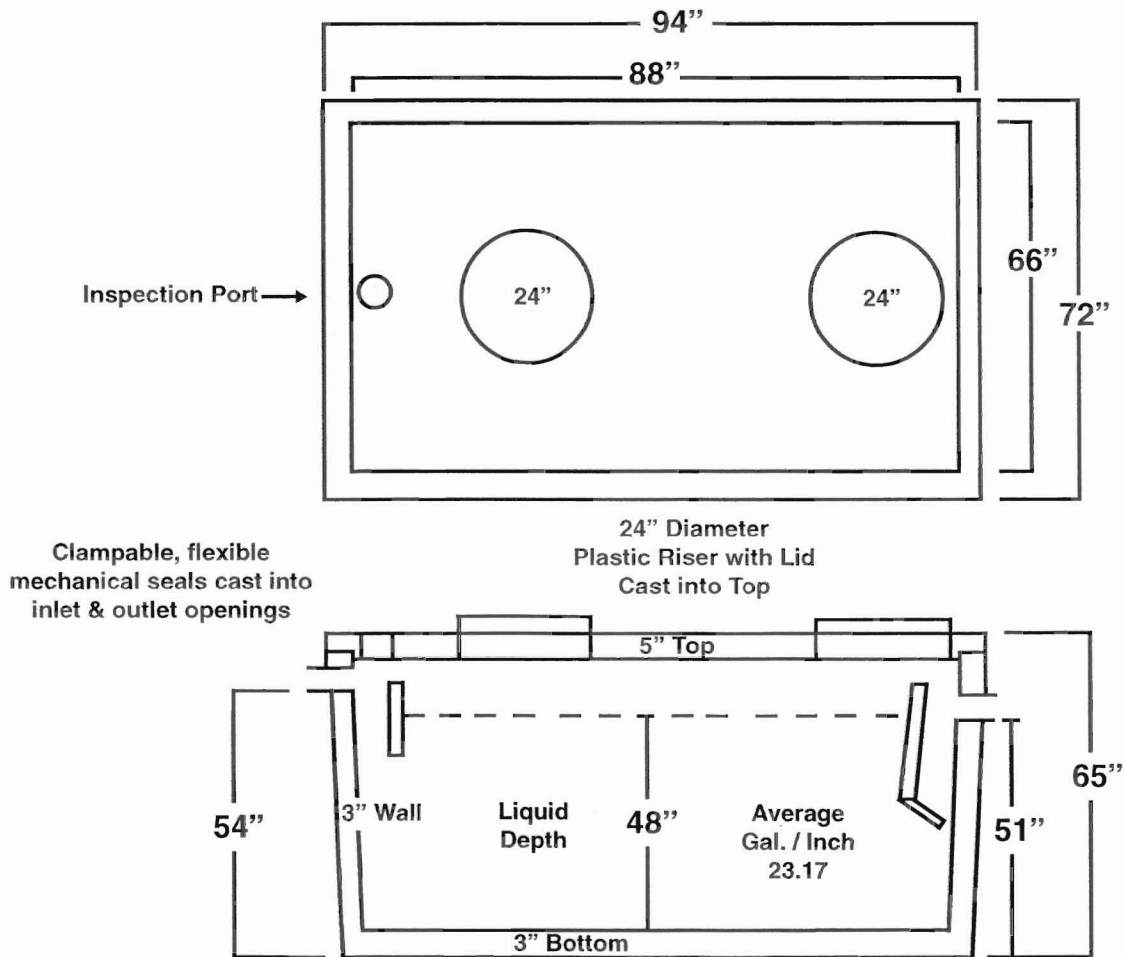
Monolithic Pour
Concrete 5000 PSI 28 days

Tank Reinforced with #4 Rebar and Forta Ferro Fiber

416 CHICORA ROAD
BUTLER, PA 16001
keyprecast&supply.com



724-287-1964
FAX: 724-287-3070



1000 GALLON SEPTIC TANK

Tank to be set on virgin soil with a covering of 6" of compacted 2B stone providing a flat and level surface with no large rocks protruding which will cause breakage of the tank.

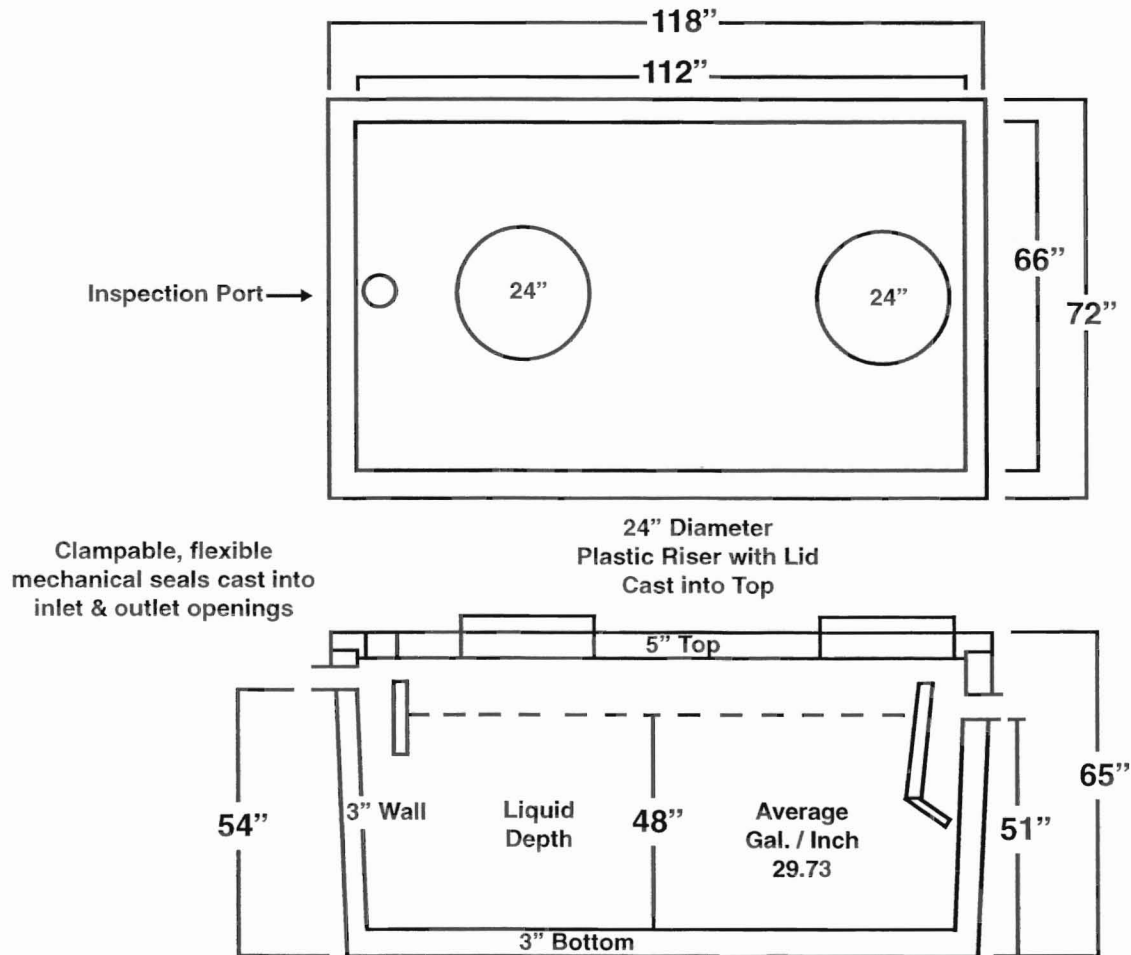
Monolithic Pour
Concrete 5000 PSI 28 days

Tank Reinforced with #4 Rebar and Forta Ferro Fiber

416 CHICORA ROAD
BUTLER, PA 16001
keyprecast&supply.com



724-287-1964
FAX: 724-287-3070



1250 GALLON SEPTIC TANK

Tank to be set on virgin soil with a covering of 6" of compacted 2B stone providing a flat and level surface with no large rocks protruding which will cause breakage of the tank.

Monolithic Pour
Concrete 5000 PSI 28 days

Tank Reinforced with #4 Rebar and Forta Ferro Fiber