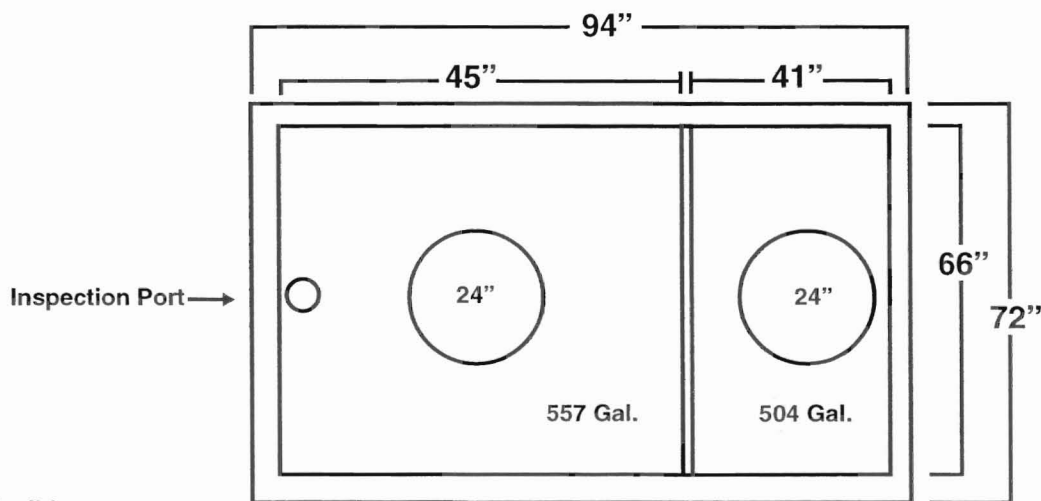


416 CHICORA ROAD  
 BUTLER, PA 16001  
 keyprecast&supply.com

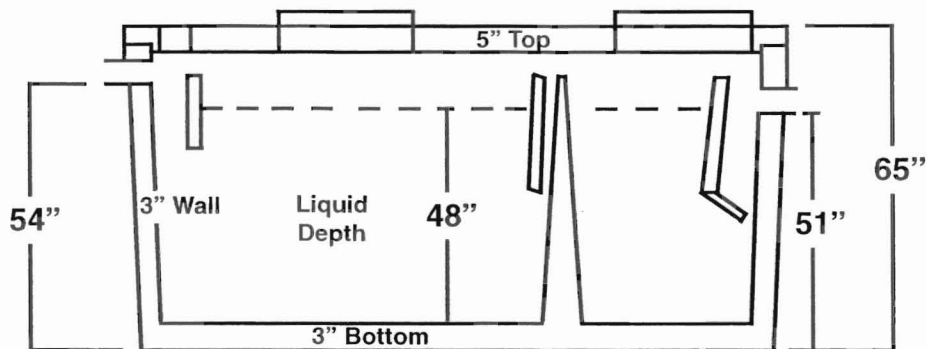


724-287-1964  
 FAX: 724-287-3070



Clampable, flexible  
 mechanical seals cast into  
 inlet & outlet openings

24" Diameter  
 Plastic Riser with Lid  
 Cast into Top



## 1000 GALLON 2-Compartment SEPTIC TANK

Tank to be set on virgin soil with a covering of 6" of compacted 2B stone providing a flat and level surface with no large rocks protruding which will cause breakage of the tank.

Monolithic Pour  
 Concrete 5000 PSI 28 days

Tank Reinforced with #4 Rebar and Forta Ferro Fiber